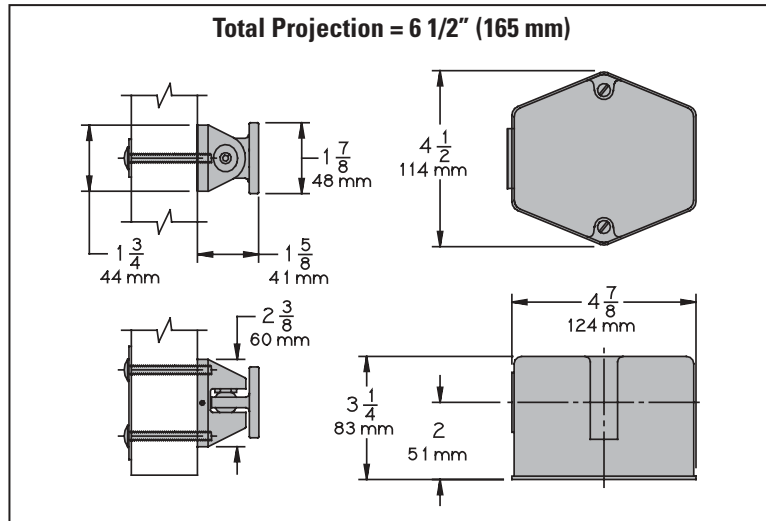
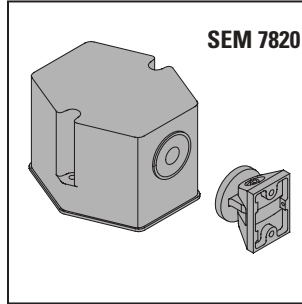


## SEM 7820 MAGNET

Floor mounted.



*The Sentronic® SEM7800 Series are heavy duty, electrically controlled door holding magnets.*

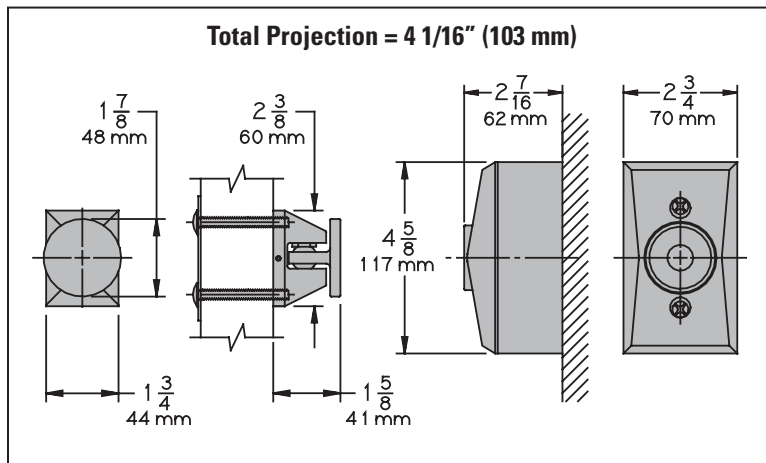
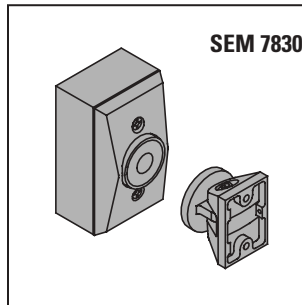
*Magnets are fail safe and hold until the current is interrupted. A manual door closer is used to control and close the door. A*

*choice of floor, recessed wall, or surface mounted wall magnets are available.*

*All SEM 7800 series magnets are UL listed for smoke barrier or labeled fire doors.*

## SEM 7830 MAGNET

Surface wall mounted.



## SEM FEATURES

- ▶ 7800 Series magnets are shipped with a screw pack for attachment of the door mounted armature.
- ▶ Available in Aluminum or Dark Bronze finishes.
- ▶ Wall units should be mounted per template instructions.
- ▶ Suitable for use in pocket installations.

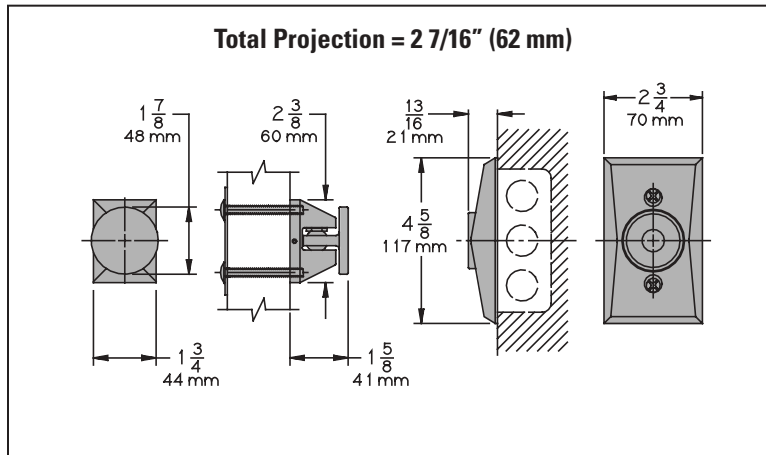
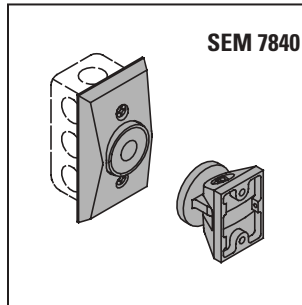
NOTE: Armature extensions are not available from LCN.

# LCN SEM7800 SERIES

## SEM 7840 MAGNET

Low profile recessed wall mount.

2" (51 mm) x 4" (102 mm) x 1 1/2" (38 mm) outlet box not included.



## HOW-TO-ORDER 7800 SERIES MAGNETS

### 1. SELECT MAGNET SERIES.

- SEM7820
- SEM7830
- SEM7840
- SEM7850

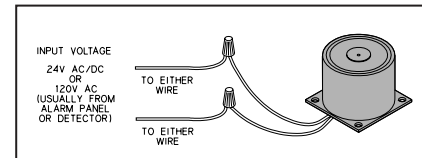
### 2. SELECT VOLTAGE.

- 24V
- 120V

### 3. SPECIFY FINISH.

- Aluminum
- Dark Bronze

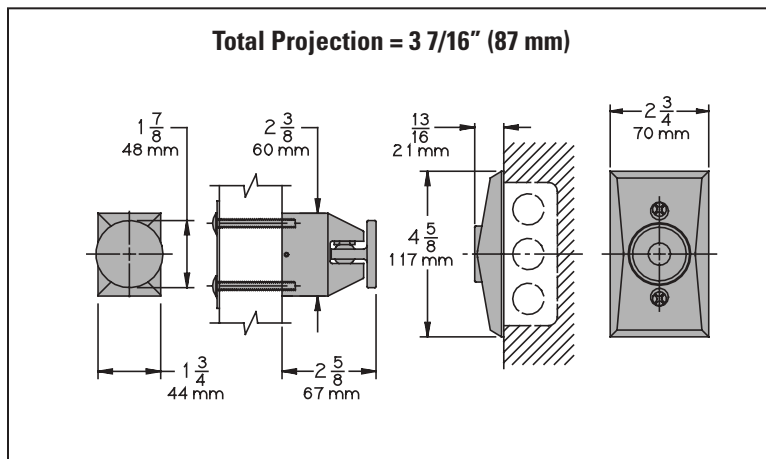
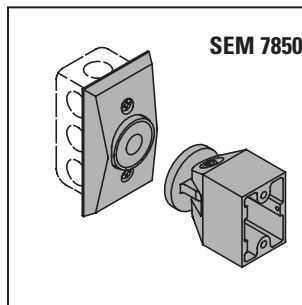
## ELECTRICAL DATA



## SEM 7850 MAGNET

Standard profile recessed wall mount.

2" (51 mm) x 4" (102 mm) x 1 1/2" (38 mm) outlet box not included.



24V AC/DC or 120V AC input.

Heavy duty electromagnet is protected against transients and voltage surges up to 600 volts.

24V AC/DC nominal

+10% - 15% @ .110 amp. maximum.

120V AC nominal

+10% - 15% @ .020 amp. maximum.

An SED transformer (4040SED-3210)

can be used to reduce line voltage where desired. It will power up to three magnets.

Primary 120V AC 50-60 Hz

Secondary 24V AC @ .400 amp. maximum.